

- IEC 62053-22 Class 0.2S
- IEC 61000-4-30 Ed. 3 Class S Compliance
- Dips/Swells/Interruptions/Transients
- WF Recording @ 256 samples/cycle
- 2GB Non-volatile Memory
- Energy Log, PQ Log, SOE Log
- 28 Standard and 4 High-Speed DR
- Modbus RTU/TCP/Master & EtherGate
- Metal Enclosure with No Openings
- IP54 Rated
- Extended Warranty
- ANSI C12.20 Class 0.2
- True RMS Measurements
- 3.5" Color Dot-Matrix IPS Display
- I4 and Residual Current Monitoring
- Extensive I/O Capabilities
- Multi-Tariff TOU
- 24 Setpoints and 6 Logical Modules
- On-board Web Server
- Industrial Grade Components
- Standard Tropicalization
- Extended Temperature Range

Designed For Reliability

Manufactured To Last



The iMeter 6 is CET's latest offer for the advanced Power Quality Monitoring of Incomers and Critical Feeders for Utilities, Data Centers, High-Tech Manufacturing Facilities and Heavy Industries. Housed in an industry-standard DIN form factor measuring 96x96x119.5mm, the iMeter 6's compact size is perfectly suited for today's space restricting environment. The iMeter 6 features quality construction with metal enclosure, advanced Power Quality and Revenue-Accurate measurements, high-resolution Waveform Recording capabilities, comprehensive Data Logging with 2GB memory, extensive I/O and a user friendly, IPS Color Dot-Matrix Display @ 320x240. It also provides either an I4 Input for Neutral Current measurement or a 0/4-20mA Analog Input for measuring external transducer signal such as Residual or Leakage Current. With a standard 10/100BaseT Ethernet Port and an RS-485 port supporting multiple protocols, the iMeter 6 becomes a vital component of an intelligent Power Quality Monitoring System.

Typical Applications

- Class 0.2S Revenue Metering
- Power Quality Monitoring of Main Incomer or Critical Feeder
- Utility, Industrial and Commercial Metering
- Substation, Building and Factory Automation
- Low, Medium and High Voltage applications
- Neutral (I4) and Residual Current (Ir) Monitoring

Features Summary

Ease of use

- Large, Backlit, Color Dot-Matrix IPS display with wide viewing angle
- Password protected setup via Front Panel and on-board Web Server
- Easy installation with mounting slide bar, no tools required

Basic Measurements (1 second update)

- 3-phase U, I, Neutral-Earth Voltage (Ung), and Power measurements
- Neutral Current (I4), Calculated Residual Current (Ir) and Frequency
- kWh, kvarh Import/Export/Net/Total, kVAh Total and kvarh Q1-Q4
- Interval Energy
- Voltage and Current Phase Angles
- Device Operating Time (Running Hours)
- DI Pulse Counters
- Optional AI measurement

High-Speed Measurements

- 3-phase U @ ½ cycle, I, Neutral Current (I4), Power and PF @ 1 cycle

Power Quality

- IEC 61000-4-30 Ed. 3 Class S Compliance and EN50160 Report
- Waveform Recording (WFR & DWR) in COMTRADE format
- Fundamental U, I, I4, P, Q, S and Displacement PF
- U and I Unbalance, Sequence Components, Voltage and Freq. Deviation
- THD, TOHD, TEHD, Crest Factor, K-Factor and TDD
- Individual Harmonics up to 63rd
- Dips, Swells, Interruptions Detection and Transients Capture
- Disturbance Direction Indicator

Demands

- Present and Predicted Demands for 3-phase U, I, P, Q, S, PF, as well as I4, Frequency, U and I Unbalance and THD
- Max. Demands with Timestamp for Ull, Uln & Current per phase and average as well as Power of This Month & Last Month (or Since Last Reset & Before Last Reset)
- Max./Min. values per Demand Interval
- Demand synchronization with DI

Setpoints

- 16 Standard (1s) and 8 High-Speed (1 cycle) Setpoints
- Extensive monitoring sources including U, I, P, Q, S, PF, Current Demands, THD, Unbalance, Sequence Components, Phase Loss/Reversal, etc.
- Configurable thresholds and time delays
- 6 Logical Modules supporting AND/OR/ NAND/NOR operations
- SOE, WFR, DWR, Data Recorder, DO and Email Alarm trigger

Log Memory

- 2GB on-board memory
- DR Logs, WFR Logs, DWR Logs, IER Logs and Demand Logs

Real-Time Waveform Capture (WFC) and Waveform Recorder (WFR)

- Real-time WFC @128 samples/cycle x 4 cycles, Event Waveforms and ITIC/SEMI F47 Curves via Front Panel and Web Interface
- WFR with 128 entries
- Simultaneous capture of 3-phase Voltage and Current Inputs
- Programmable formats and pre-fault cycles from 256x20 to 16x320
- Support FIFO Recording Mode
- Scheduled WFR with max. repetition of 10,000 times and programmable schedule from 1 to 960 hours
- COMTRADE file format, downloadable from the on-board Web/FTP Server

Disturbance Waveform Recorder (DWR)

- 128 entries
- Simultaneous recording of 3-phase Voltage and Current Inputs
 - Initial Fault: 35 cycles @ 256 samples/cycle
 - Extended Fault: Up to 150 cycles @ 16 samples/cycle
 - Steady State: Up to 360 seconds of 1-cycle absolute peak values
 - Post Fault: 15 cycles @ 256 samples/cycle

Multi-Tariff TOU capability

- Two independent sets of TOU Schedules
 - Up to 12 Seasons
 - 90 Holidays or Alternate Days
 - 20 Daily Profiles, each with 12 Periods at min. 15-min interval
 - 8 Tariffs, each providing kWh/kvarh Import/Export and kVAh
- Switching between two TOU schedules according to pre-programmed time and logged as an SOE event

Interval Energy Recorder (IER)

- Support recording of kWh/kvarh Import/Export and kVAh Total
- Programmable Recording Interval from 1 min to 65,535 mins
- Max. Recording Depth @ 65,535 records
- Support FIFO or Stop-When-Full Recording Mode

Data Recorder (DR)

- 28 Standard DR Logs and 4 High-Speed DR Logs
- Recording Interval from 1s to 40 days for Standard DR Log and 1 to 60 cycles for High-Speed DR Log
- Up to 16 parameters for each DR Log with programmable sources including most Real-time measurements, Demands, Energy, Harmonics, Unbalance and Modbus Slaves' Real-time measurements
- Configurable Depth and Recording Offset
- Support FIFO or Stop-When-Full Recording Mode
- BEC 2018 Compliant Data Recording for 3 years at 15-minute interval

SOE Log

- 512 events time-stamped to ±1ms resolution
- Setup changes, Setpoint events and I/O operations

PQ Log

- 512 entries time-stamped to ±1ms resolution
- Dips, Swells, Interruptions and Transients detection

Max./Min. Log

- Logging of Max./Min. values for measurements such as Voltage, Current, Frequency, P, Q, S, PF, Unbalance, K-Factor and THD with Timestamp for This Month & Last Month (or Since Last Reset & Before Last Reset)

Digital Inputs

- 6 channels, volts free dry contact, 24VDC internally wetted
- 1000Hz sampling for status monitoring with programmable debounce
- Pulse counting with programmable weight for each channel for collecting WAGES (Water, Air, Gas, Electricity, Steam) information
- Demand Synchronization
- Tariff switching based on DI status

Digital Outputs

- Up to 3 channels Form A Mechanical Relays for alarming and control
- 5A @250VAC/30VDC



Analog Input (Optional)

- Optional 1xAI, 0/4-20mA DC input with programmable zero and full scales
- Can be used to measure external transducer signal such as Residual or Leakage Current

Communications

RS-485 (P1)

- Optically isolated RS-485 port with Baud Rate from 1,200 to 38,400bps
- Modbus RTU, Ethernet Gateway and Modbus Master
- Supports up to 31 downstream Modbus Slave Devices

Ethernet (P2)

- 10/100BaseT Ethernet Port with RJ45 connector
 - Built-in Web Server for easy data viewing and setup configuration
 - Modbus TCP, HTTPS, SMTPS, SNTP, FTPS, SNMP, BACnet/IP®, IEC 61850
- *Supported Object Type: Device Object, Analog Input Object, Analog Value Object, Binary Input Object, Binary Output Object, Network Port Object and Large Analog Value Object

Real-Time Clock

- Battery-backed Real-time clock with 6ppm accuracy (<0.5s per day)
- Time Sync. via Modbus RTU/TCP, SNTP, GPS and IRIG-B.

System Integration

- Supported by CET's PecStar® iEMS
- Easy integration into Automation, SCADA or BMS Systems via Modbus, IEC 61850 and BACnet/IP protocols
- The on-board password protected Web Server provides user-friendly access to its data and supports the configuration for most of the Setup parameters via a standard web browser

Technical Specifications

Voltage Inputs (V1, V2, V3, VN)	
Standard (Un)	400VLN/690VLL +20%
Range	4V to 120%Un
PT Ratio	
Primary	1 to 1,000,000
Secondary	1 to 1,500
Overload	1.2xUn continuous, 2xUn for 10s
Burden	<0.5VA @ 240V
Measurement Category	CAT III 600V
Frequency	42-69Hz
Current Inputs (-I11, I12, -I21, I22, -I31, I32, -I41, I42)	
Standard (In / Imax)	5A / 10A
Optional (In / Imax)	1A / 2A
Range	0.1% to 200% In
CT Ratio	
Primary	1 to 30,000
Secondary	1 to 50
Overload	2xIn continuous, 4xIn for 60s, 10xIn for 10s, 20xIn for 1s
Burden	<0.25VA @ 5A
Power Supply (L+, N-)	
Standard	95-277VAC L-N/415VAC L-L, 45-65Hz 90-300VDC
Optional	20-60VDC
Burden	<10VA/6W @ 240VAC/DC, <3.6W @ 24VDC
Digital Inputs (DI1, DI2, DI3, DI4, DI5, DI6, DIC)	
Type	Dry contact, 24VDC internally wetted
Sampling	1000Hz
Hysteresis	1-1,000ms programmable
Digital Outputs (DO11, DO12, DO21, DO22, DO31, DO32)	
Type	Form A Mechanical Relay
Loading	5A @ 250VAC/30VDC
LED Pulse Outputs (kWh, kvarh)	
Type	Optical
Pulse Constant	1000/3200/5000/6400/12800 imp/kxh
Optional Analog Input (AI+, AI-)	
Type	0-20 / 4-20 mA
Overload	24 mA maximum
Environmental Conditions	
Operating Temperature	-25°C to 70°C
Storage Temperature	-40°C to 85°C
Humidity	5% to 95% non-condensing
Atmospheric Pressure	70 kPa to 106 kPa
Altitude	< 3000 m
Pollution Degree	2
Mechanical Characteristics	
Enclosure	Aluminum Alloy
Panel Cutout	92x92 mm
Unit Dimensions	96x96x119.5 mm
Shipping Dimensions	300x220x160 mm
IP Rating	54
Shipping Weight	1.18 kg

Accuracy

Parameters	Accuracy	Resolution
Voltage	±0.1%	0.001V
Current	±0.1%	0.001A
I4 Measured	±0.1%	0.001A
kW, kvar, kVA	±0.2%	0.001k
kWh, kVAh	IEC 62053-22 Class 0.2S ANSI C12.20 Class 0.2	0.1kxh
kvarh	IEC 62053-24 Class 0.5S IEC 62053-23 Class 2	0.1kvarh
PF	±0.2%	0.001
Frequency	±0.01 Hz	0.01Hz
Harmonics	IEC 61000-4-7 Class I	0.01%
K-Factor	IEC 61000-4-7 Class I	0.01
Phase Angles	±1°	0.1°
U Deviation	±0.5%	0.01%
Freq. Deviation	±0.01Hz	0.01Hz
U Unbalance	±0.2%	0.1%
I Unbalance	±1.0%	0.1%
AI	±0.5%	-

Standards of Compliance

Safety Requirements	
CE LVD Directive 2014 / 35 / EU	EN 61010-1: 2010 EN 61010-2-030: 2010
Electrical Safety in Low Voltage Distribution Systems up to 1000Vac and 1500 Vdc	IEC 61557-12: 2018 (PMD)
Insulation	IEC 62052-11: 2003 IEC 62053-22: 2003
AC Voltage: 2kV @ 1 minute Insulation Resistance: >100MΩ Impulse Voltage: 6kV, 1.2/50µs	
Electromagnetic Compatibility CE EMC Directive 2014 / 30 / EU (EN 61326: 2013)	
Immunity Tests	
Electrostatic Discharge	EN 61000-4-2: 2009
Radiated Fields	EN 61000-4-3: 2006+A1: 2008+A2: 2010
Fast Transients	EN 61000-4-4: 2012
Surges	EN 61000-4-5: 2014+A1: 2017
Conducted Disturbances	EN 61000-4-6: 2014
Magnetic Fields	EN 61000-4-8: 2010
Voltage Dips and Interruptions	EN 61000-4-11: 2004+A1: 2017
Ring Wave	EN 61000-4-12: 2017
Voltage Dips, Short Interruptions and Voltage Variations on DC Input Power Port	EN 61000-4-29: 2000
Damped Oscillatory Wave	EN 61000-4-18: 2011
Emission Tests	
Limits and Methods of Measurement of Electromagnetic Disturbance Characteristics of Industrial, Scientific and Medical (ISM) Radio-Frequency Equipment	EN 55011: 2016
Electromagnetic Compatibility of Multimedia Equipment - Emission Requirements	EN 55032: 2015
Limits for Harmonic Current Emissions for Equipment with Rated Current ≤16 A	EN 61000-3-2: 2014
Limitation of Voltage Fluctuations and Flicker in Low-Voltage Supply Systems for Equipment with Rated Current ≤16 A	EN 61000-3-3: 2013
Emission Standard for Residential, Commercial and Light-Industrial Environments	EN 61000-6-4: 2007+A1: 2011
Power Quality	
Testing and Measurement Techniques – Power Quality Measurement Methods	IEC 61000-4-30 Ed. 3 Class S Compliance
Power Quality Measurement in Power Supply Systems – Part 2: Functional Test and Uncertainty Requirements	IEC 62586-2 Ed. 2
Communications	
Communication Networks and Systems in Substations	IEC 61850 Ed. 1
A Data Communication Protocol for Building Automation and Control Networks	BACnet ANSI/ASHRAE Standard 135-2020 (B-ASC Device Profile)
Mechanical Tests	
Spring Hammer Test	IEC 62052-11: 2003
Vibration Test	IEC 62052-11: 2003
Shock Test	IEC 62052-11: 2003



Ordering Guide

CET Electric Technology		Version 20230508
Product Code	Description	
iMeter 6 Advanced Power Quality Monitor		
Basic Function		
IEC 62053-22 Class 0.2S Compliant, 3-Phase True RMS Metering, Individual Harmonics to 63rd, 2GB Log Memory, 32 Data Recorders, IER Log, PQ Log, SOE Log, Dips/Swells/Interruptions and Transients Detections, WF Recording @ 256 samples/cycle, IEC 61000-4-30 Class S Compliance and EN 50160 Report		
Display Screen		
B	Color Dot-Matrix IPS Display (320x240 Resolution)	
Input Current (I1, I2, I3, I4*)		
5	5A	
1	1A	
Input Voltage (V1, V2, V3)		
9	400VLN/690VLL + 20%	
Power Supply		
2	95-277VAC L-N/415VAC L-L, 45-65Hz	
3	90-300VDC	
System Frequency		
5	42Hz-69Hz	
DI/DO		
A	6DI + 3DO	
AI		
X	No	
A*	1x Analog Input (0-20mA or 4-20mA DC)	
Communications		
D	1x10/100BaseT Ethernet port + 1xRS-485 port	
Display Language		
E	English	
iMeter 6 - B 5 9 2 5 A X D E iMeter 6-B5925AXDE (Standard Model)		

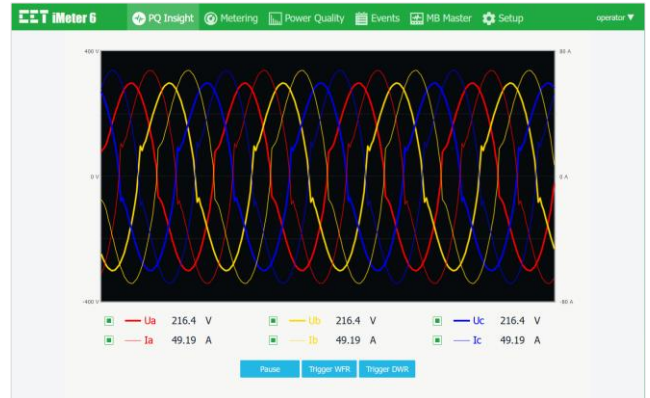
* Additional charges apply

* If AI Option A is selected, the I4 Input will be replaced by the 0/4-20mA Analog Input.

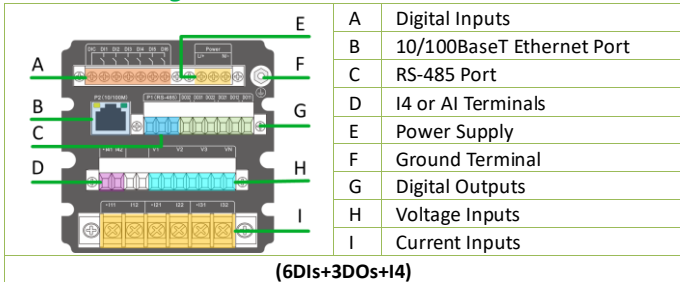
Front Panel Display



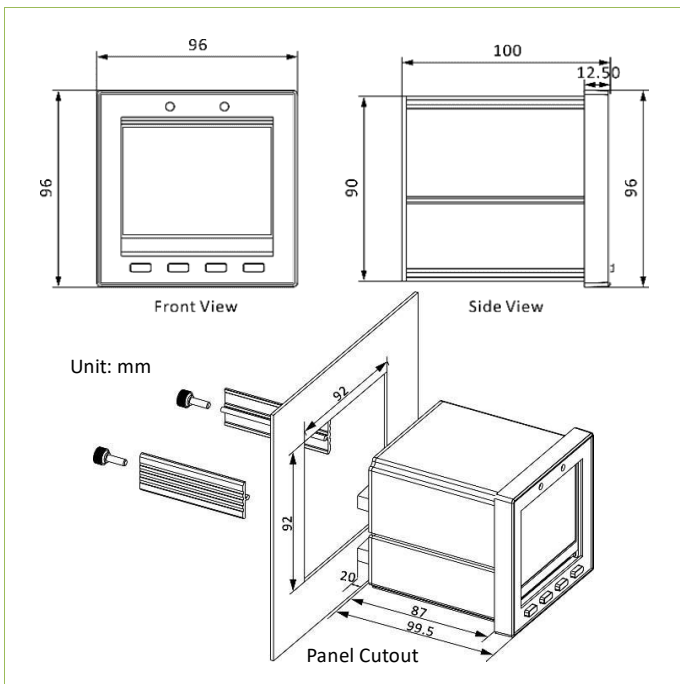
On-board Web Interface



Terminals Diagram



Device View and Dimensions

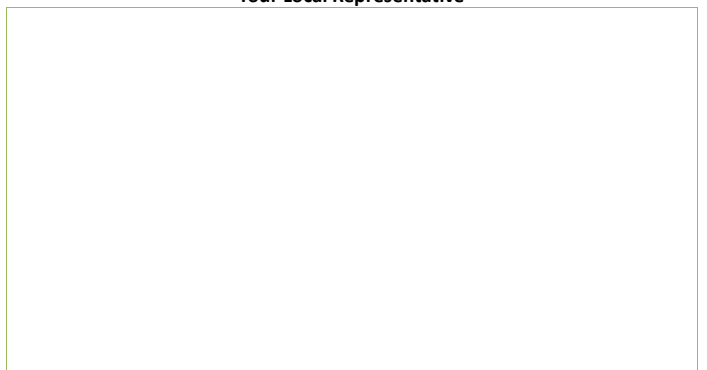


CET Electric Technology Inc.

E: sales@cet-global.com

W: www.cet-global.com

Your Local Representative



Revision Date: May 30, 2023